

Technical data sheet

Product features



Solid Top gas cooker with cabinet

Model	SAP Code	00019433
--------------	-----------------	----------



- Device type: Gas unit
- Power consumption of the zone 1 [kW]: 4
- Power consumption of the zone 2 [kW]: 8,5
- Power consumption of the zone 3 [kW]: 6,6
- Power consumption of the zone 4 [kW]: 8,5
- Power consumption of the zone 5 [kW]: 8,5
- Ignition: Piezo + Eternal Flame
- Material: AISI 304 top plate and cladding

SAP Code	00019433	Number of zones	5
Net Width [mm]	1200	Power consumption of the zone 1 [kW]	4
Net Depth [mm]	730	Power consumption of the zone 2 [kW]	8,5
Net Height [mm]	900	Power consumption of the zone 3 [kW]	6,6
Net Weight [kg]	134.50	Power consumption of the zone 4 [kW]	8,5
Power gas [kW]	36.100	Power consumption of the zone 5 [kW]	8,5
Type of gas	Natural gas, propane butane	Solid top dimensions [mm x mm]	370 x 545

Technical data sheet

Technical drawing

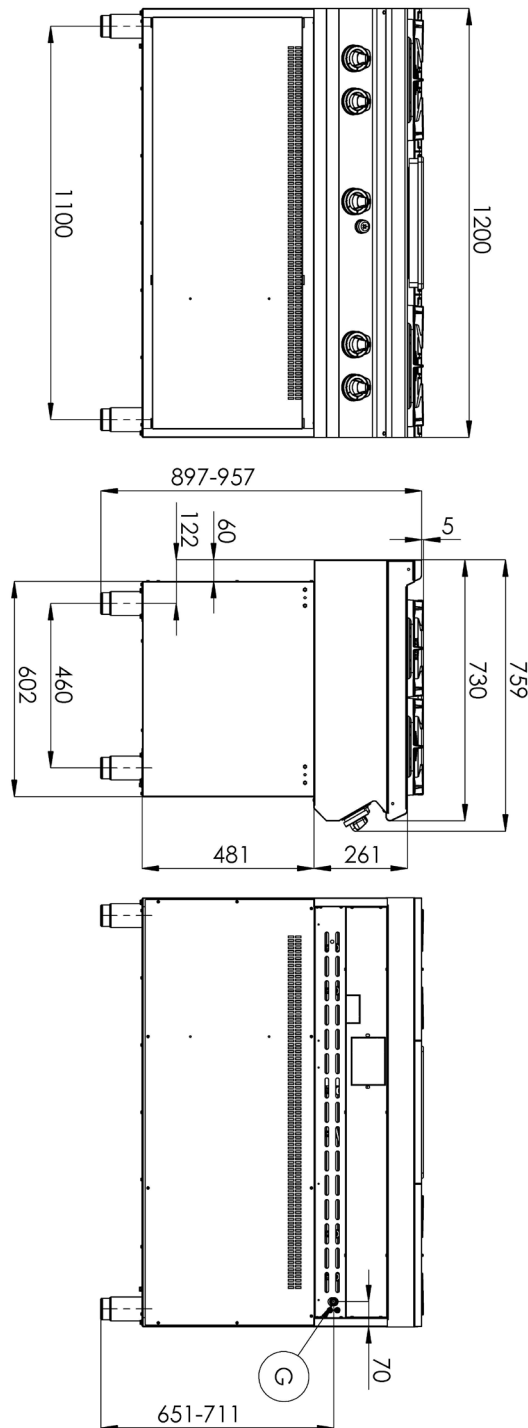


Solid Top gas cooker with cabinet

Model

SAP Code

00019433



Technical data sheet

Technical parameters



Solid Top gas cooker with cabinet

Model

SAP Code

00019433

1. SAP Code:

00019433

2. Net Width [mm]:

1200

3. Net Depth [mm]:

730

4. Net Height [mm]:

900

5. Net Weight [kg]:

134.50

6. Gross Width [mm]:

1260

7. Gross depth [mm]:

820

8. Gross Height [mm]:

1080

9. Gross Weight [kg]:

151.00

10. Device type:

Gas unit

11. Construction type of device:

With substructure

12. Power gas [kW]:

36.100

13. Ignition:

Piezo + Eternal Flame

14. Type of gas:

Natural gas, propane butane

15. Exterior color of the device:

Stainless steel

16. Material:

AISI 304 top plate and cladding

17. Worktop type:

Molded - comfortable cleaning maintenance

18. Worktop material:

AISI 304

19. Worktop Thickness [mm]:

1.50

20. Number of zones:

5

21. Power consumption of the zone 1 [kW]:

4

22. Power consumption of the zone 2 [kW]:

8,5

23. Power consumption of the zone 3 [kW]:

6,6

24. Power consumption of the zone 4 [kW]:

8,5

25. Power consumption of the zone 5 [kW]:

8,5

26. Grid material:

Cast iron

27. Service accessibility:

Trough the frontal panel

28. Safety thermocouple:

Yes

Technical data sheet

Technical parameters



Solid Top gas cooker with cabinet

Model

SAP Code

00019433

29. Adjustable feet:

Yes

33. Solid top thickness [mm]:

30

30. Number of burners/hot plates:

5

34. Solid top dimensions [mm x mm]:

370 x 545

31. Type of gas cooking zones:

Fire protection to install + Classic burners

35. Solid top ignition:

Piezo + Eternal Flame

32. Burner type:

Brass, detachable